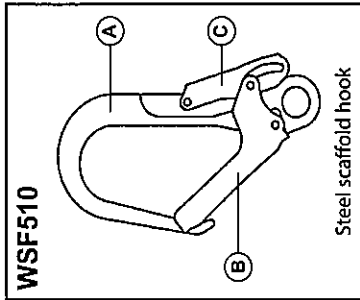
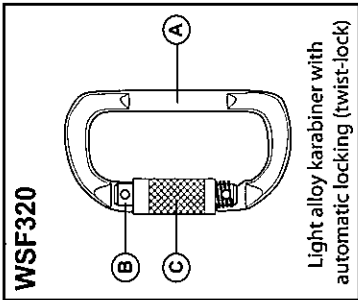
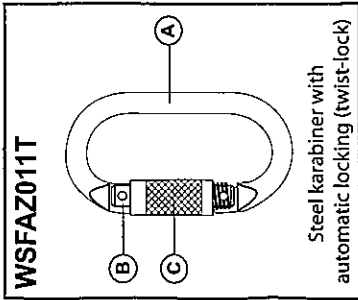


CONNECTOR DESCRIPTION

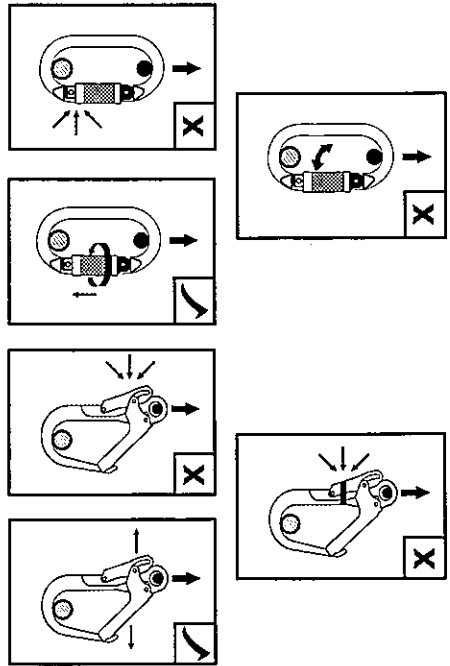
A - Body

B - Gate

C - Locking gear



CONNECTOR'S LOCKING GEAR PROTECTION



EQUIPMENT CONTROL CARD

Type	WSF510 (Scaffold Hook) & WSFAZ011T or WSF320 (Karabiner)	
Serial No.	Yr. of Mfr.	
Purchasing date		
First service date		
User's name		
This equipment can be used with Full Body Harness & Energy Absorbing Lanyards		
User's comments		

WORKSafe®

WSF510

WSF320

WSFAZ011T

CONNECTOR

Comply with
SS528:Part5:2006
EN362



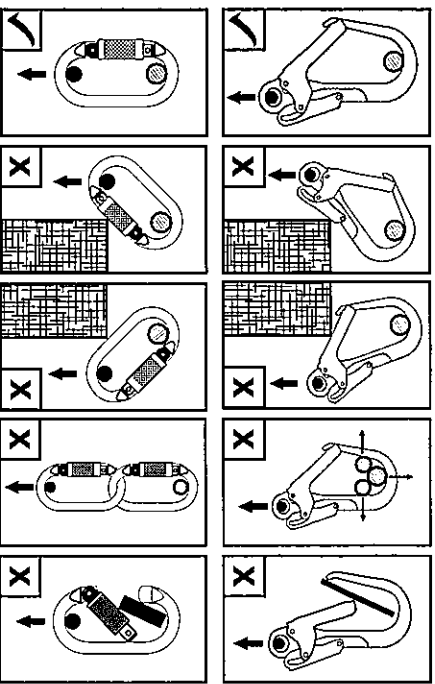
PDS International Pte Ltd
10 Pandan Crescent, #05-03/04 (LL2)
UE Tech Park, Singapore 128466
www.worksafe.com.sg

INSTRUCTION FOR USE

The connector is designed to be used as termination in energy absorber and connecting lanyard for personal fall arrest system and attachment to anchor points respectively. In order to avoid any misuse of the equipment and ensure your safety, the following instructions for use must be read carefully and complied strictly.

Precautions to be observed when making a connection :

1. The connector should be capable of free and easy engagement with the components or subsystems to be connected without the need for the application of force.
2. There should be sufficient clearance to allow the gate to fully close and lock after the connection has been made.
3. The closure of the gate and lock should be physically checked after the connection is made to avoid subsequent and unintentional disengagement.
4. When the connection is made, the connector should be manipulated within the connection to ensure that the connector's intended bearing surface bears upon the mating component's intended bearing surface. The gate of the connector should not bear upon any surface.
5. When the connection is made, the connector should be capable of aligning in all directions in which the personal fall arrest system can possibly be loaded as a result of the arrest of a fall. (This is to avoid weakening the connector by subjecting it to bending).
6. When the connection is made, the connector should not be used in orientations other than inline, end-to-end. Severe weakening can take place if a connector is loaded over an edge.
7. Connectors with a retention eye or retention pin are to be preferred in making connections, to minimize the possibility of the inadvertent release of components. Retention pins should not be inserted through the lanyard termination.



GENERAL INFORMATION

1. Before each use, visual inspection must be made to ensure that the equipment is in a serviceable condition and operates correctly.
2. If there is any doubt arising about the safety of the connector, it should be removed from service immediately until such time as it has been inspected, and if appropriate, tested by a competent person authorized by the manufacturer.
3. The user must be warned against the danger that may arise by the use of combinations of components and/or sub-system in which the safe function of any one component and/or sub-system is affected by, or interferes with, the safe function of another.
4. Care should be taken to choose a reliable anchorage point in any personal fall arrest system.
5. Great care should be taken to ensure that the connector, when incorporated into a personal fall arrest system, performs correctly, and that the recommended way to achieve this is by testing as per ISO10333-6 for System performance test.
6. For any personal fall arrest system, the max. impact force experienced by a person in a fall should not exceed 6kN, and the system may need an energy absorber to achieve this.
7. The user should consult the manufacturer in case of doubt for a product which includes any material susceptible to attack by chemicals or chemical environment.
8. The equipment must be inspected periodically according to the manufacturer's instructions by a competent person, and that the period between inspections should take into account the conditions of use but at least one inspection should be performed annually.
9. Repairs to the equipment must be carried out only by the manufacturer or by a competent person appropriately authorized by the manufacturer.
10. Any equipment that has been used to arrest a fall should be removed from service immediately.
11. Before and during use, consideration should be given as to how any rescue could be safely and efficiently carried out.
12. The user must check his/her medical conditions could affect the safety of him/her in normal and emergency use.
13. The user shall not make any alterations or additions to the equipment without the manufacturer's prior consent.
14. No modification should be made to this device without the manufacturer's prior written consent.
15. This equipment shall not be used outside its limitations, or any purpose other than that for which it is intended.
16. Don't locate the device where sharp objects could cause wear on this device.
17. Before use, any arrangement should be made to avoid loading this device across its gate.
18. This equipment is marked according to S5528:Part5:2006.

MAINTAINANCE AND STORAGE

Proper maintenance and storage of your equipment are necessary to ensure integrity of the component parts and therefore the user's safety. Comply strictly with the following instructions.

1. The device must be inspected by a competent person authorized by the manufacturer at least once a year to enable the expiry date to be extended for further year but up to max. 5years..
2. Whenever necessary, cleaning should be carried out using brush (not wire brush). When the lanyard becomes wet either in use or during cleaning, it should be allowed to dry naturally.
3. Make sure to fill in the EQUIPMENT CONTROL CARD provided, keep it on hand, and note the occasional and periodic checks for your safety.
4. The device should be looked after and stored correctly when not in use and should not be lying around the work place. It should be kept away from sharp objects and harmful substances and stored in a cool, dry place free from direct sunlight.

WARNING :

1. The device should be replaced immediately should any doubt exist as to the safe condition.
2. The device that has been used to arrest a fall must be withdrawn from use.
3. When the device is used with shock absorbing lanyard, termination and connectors, the total length of it including the length of this device should be taken into account not to be exceeded 2m for the purpose of fall protection.
4. During transportation, all reasonable care must be done to protect any damage and deterioration.
5. This device has automatic locking gate should only be used where the user does not have to attach and remove this device frequently.
6. The strength of this device may be reduced when it is connected to wide webbing strap.
7. Don't locate anchorages where sharp objects could cause wear on connector to avoid any weakness of the strength.
8. Don't use anchorage points that cause a load to be applied to the gate or lock of connectors to avoid any damage or reduction of strength.

CONTENT OF THE DEVICE IDENTITY LABEL

- A - Manufacturer trademark
- B - Reference number of the device
- C - Standards which the fall-arrest device is compliance with
- D - Month/ year of the device is manufactured
- E - Caution: read the instruction manual
- F - CE marking and notified body no# controlling mfg of the equipment
- G - Manufacturing batch number (OPTIONAL)

